

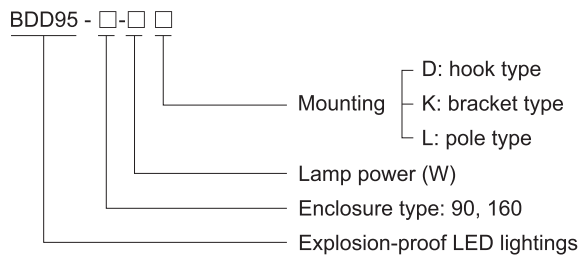
LED Light Fittings

BDD95 Series Explosion-proof LED Lightings



- ◆ Explosion protection to
 - CENELEC
 - IEC
 - NEC
- ◆ Can be used in
 - Zone 1 and Zone 2
 - Zone 21 and Zone 22
 - Class I, Zone 1 and Zone 2
 - Class I, Division 2, Groups A, B, C, D
- ◆ Two enclosure types:90, 160
- ◆ Applicable lamp and power (max.160W)
 - LED: 60W, 90W, 120W, 160W
- ◆ Isolated LED lamp compartment, CC-CV (constant current - constant voltage) power controller compartment and terminal compartment; Wind-convection heat dissipation structure.
- ◆ New COB technology, large power and white light LED array, power of single LED can reach 20W~40W, high lighting efficiency, long service life.
- ◆ Two types of light distribution: spotlight and floodlight, which can be selected on request.
- ◆ 160 type lightings adopt light fitting integrated two lamps, the power of whole machine is of 2x120W,2X160W.

Catalogue number logic



Selection table

Type / Ordering code	Lamp power(W)	Weight (kg)	Type / Ordering code	Lamp power(W)	Weight (kg)	Type / Ordering code	Lamp power(W)	Weight (kg)
BDD95-90-60K	60	8.50	BDD95-90-60D	60	8.10	BDD95-90-60L	60	8.10
BDD95-90-90K	90	8.50	BDD95-90-90D	90	8.10	BDD95-90-90L	90	8.10
BDD95-160-120K	120	12.20	BDD95-160-120D	120	11.60	BDD95-160-120L	120	11.70
BDD95-160-160K	160	12.20	BDD95-160-160D	160	11.60	BDD95-160-160L	160	11.70

Note: 1. The product is supplied according to "Type/Ordering code" in the table with mounting accessories.
 2. Two types of light distribution: spotlight and floodlight. The light fittings are supplied without lens. Lighting distribution is of floodlight. If required, please specify when ordering.

Zones 1&2; 21&22

LED Light Fittings

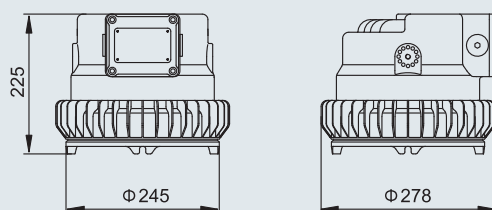
BDD95 Series Explosion-proof LED Lightings

Technical data	
Explosion-proof LED lightings BDD95-90-□□	
Explosion protection	
Gas explosion protection	⊕ II 2 G Ex db e IIC T□ ¹⁾ Gb
Dust explosion protection	⊕ II 2 D Ex tb IIIC T□ ¹⁾ Db IP66
	1) See Selection Table
Certificates	EPT 15 ATEX 2315X; IECEX CQM 15.0047X; CU-TR
Conformity to standards	EN 60079-0, EN 60079-1, EN 60079-7, EN 60079-31 IEC 60079-0, IEC 60079-1, IEC 60079-7, IEC 60079-31
Material	
Enclosure	Copper-free aluminium, powder coated surface, yellow (RAL1021)
Glass cover	Toughened glass, stands 4J impact
Exposed fastener	Stainless steel
LED driver	Wide voltage input, CC-CV (constant current - constant voltage) output, power factor ≥ 0.95 , with function of distributed current, constant current, surge-proof and anti-electromagnetic interference, and protection against overcurrent, open circuit, and short circuit
Lamp	
Lamp specification	International brand of integrated LED, Multiple LED
Lamp power (W)	60W, 90W
Colour Temperature (CCT)	Cool white: 5400~6500K Note: cool white is available in general. Warm white (2700~3500K) or nature white (4700~5400K) is optional, please specify when ordering.
Rated voltage	100~300V AC 50/60Hz
Earthing protection	M5 (internal & external earth bolts)
Degree of protection	IP66, IP67(optional)
Ambient temperature	-40°C~+55°C
Terminal	3 x 1.5~4mm ² (L+N+PE)
Mounting	bracket type, hook type, pole type
Cable entries	2 x M25 x 1.5 plugs
Available cable outer diameter	DQM-I (Ex e) is recommended. Please see P7/17~19.



Selection table				
Rated power(W)	Temperature classification			
	-40°C ≤ Ta ≤ +40°C		-40°C ≤ Ta ≤ +55°C	
	Gas	Dust	Gas	Dust
60	67°C (T6)	62°C	82°C (T6)	77°C
90	87°C (T5)	82°C	102°C (T4)	97°C

Dimension drawings (all dimensions in mm) - subject to alteration



BDD95-90

LED Light Fittings

BDD95 Series Explosion-proof LED Lightings

Technical data

Explosion-proof LED lightings BDD95-160-□□

Explosion protection

- Gas explosion protection
- Dust explosion protection

⊕ II 2 G Ex db e IIC T□¹⁾ Gb

⊕ II 2 D Ex tb IIIC T□¹⁾ Db IP66

1) See Selection Table

Certificates

EPT 15 ATEX 2315X; IECEx CQM 15.0047X; CU-TR

Conformity to standards

EN 60079-0, EN 60079-1, EN 60079-7, EN 60079-31

IEC 60079-0, IEC 60079-1, IEC 60079-7, IEC 60079-31

Material

Enclosure

Copper-free aluminium, powder coated surface, yellow (RAL1021)

Glass cover

Toughened glass, stands 4J impact

Exposed fastener

Stainless steel

LED driver

Wide voltage input, CC-CV (constant current - constant voltage) output, power factor ≥ 0.95 , with function of distributed current, constant current, surge-proof and anti-electromagnetic interference, and protection against overcurrent, open circuit, and short circuit

Lamp

Lamp specification

International brand of integrated LED, Multiple LED

Lamp power (W)

120W, 160W

Colour Temperature (CCT)

Cool white: 5400~6500K

Note: cool white is available in general. Warm white (2700~3500K) or nature white (4700~5400K) is optional, please specify when ordering.

Rated voltage

100~300V AC 50/60Hz

Earthing protection

M5 (internal & external earth bolts)

Degree of protection

IP66, IP67(optional)

Ambient temperature

-40°C~+55°C

Terminal

3 x 1.5~4mm² (L+N+PE)

Mounting

bracket type, hook type, pole type

Cable entries

2 x M25 x 1.5 plugs

Available cable outer diameter

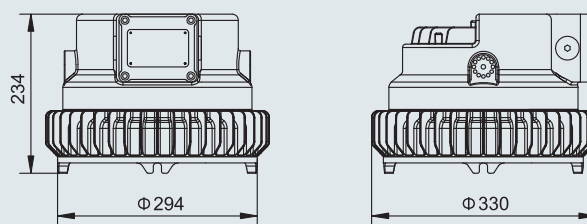
DQM-I (Ex e) is recommended. Please see P7/17~19.



Selection table

Rated power(W)	Temperature classification			
	-40°C ≤ Ta ≤ +40°C		-40°C ≤ Ta ≤ +55°C	
	Gas	Dust	Gas	Dust
120	72°C (T6)	67°C	87°C (T5)	82°C
160	92°C (T5)	87°C	107°C (T4)	102°C

Dimension drawings (all dimensions in mm) - subject to alteration



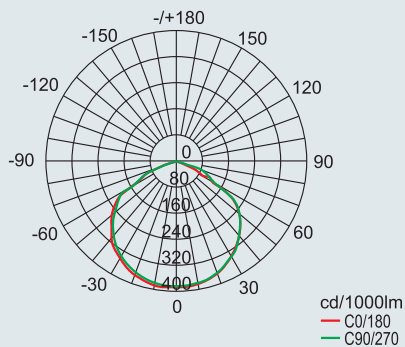
BDD95-160

LED Light Fittings BDD95 Series Explosion-proof LED Lightings

Photometric data Note: LED luminous flux is from the standard product of which colour temperature is 5400 to 6500K (cool white).

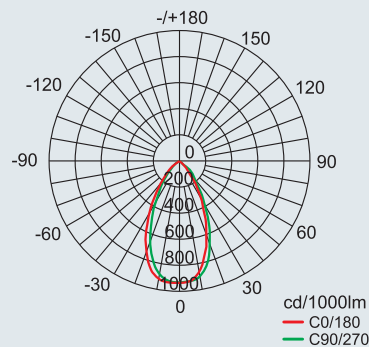
BDD95-90-□□(Standard products without lens)

Rated luminous flux
60W LED: 6000lm
90W LED: 9000lm



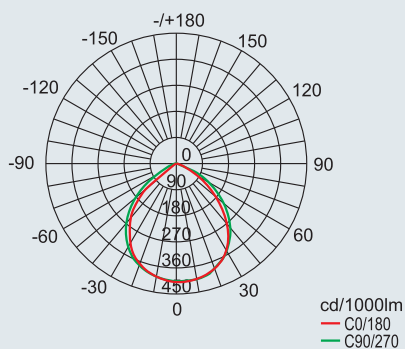
BDD95-90-□□(With 60° lens)

Rated luminous flux
60W LED: 6000lm
90W LED: 9000lm
Note: Lens of 45° and 30° can be provided on request.



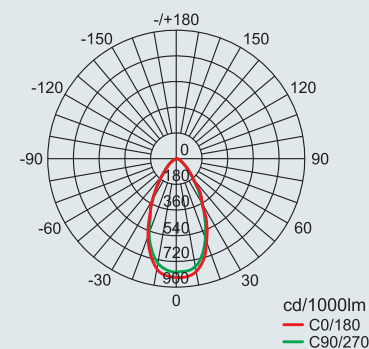
BDD95-160-□□(Standard products without lens)

Rated luminous flux
120W LED: 12000lm
160W LED: 16000lm



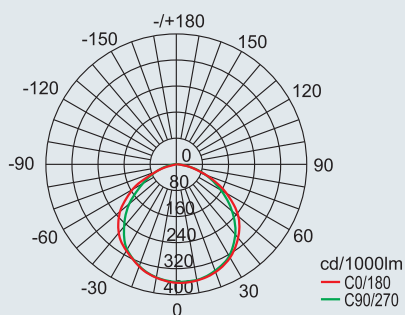
BDD95-160-□□(With 60° lens)

Rated luminous flux
120W LED: 12000lm
160W LED: 16000lm
Note: Lens of 45° and 30° can be provided on request.



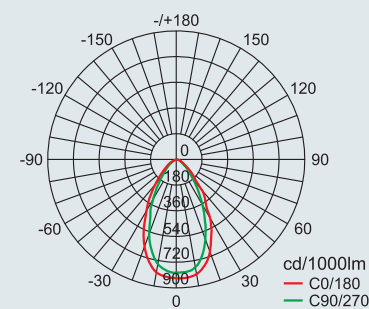
BDD95-160-□□(Standard products without lens) Note: Measuring parameters of light fitting integrating two lamps

Rated luminous flux
2 × 120W LED: 24000lm
2 × 160W LED: 32000lm



BDD95-160-□□(With 60° lens) Note: Measuring parameters of light fitting integrating two lamps

Rated luminous flux
2 × 120W LED: 24000lm
2 × 160W LED: 32000lm
Note: Lens of 45° and 30° can be provided on request.



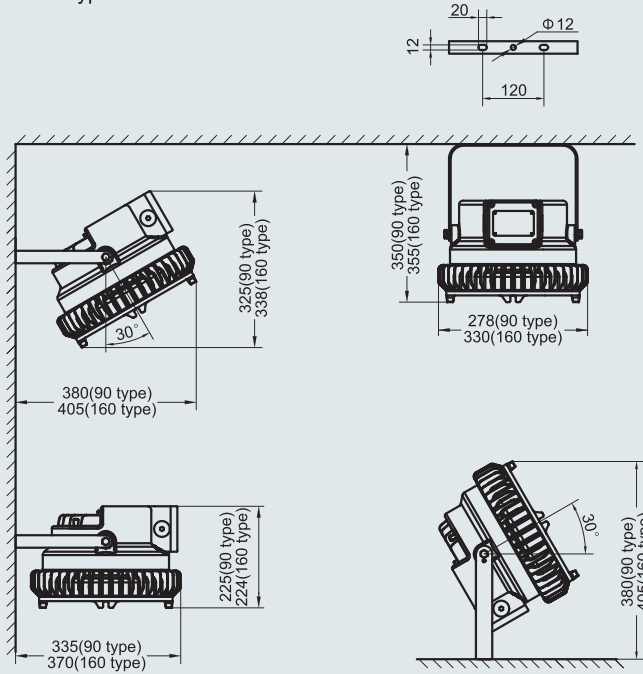
We can provide lighting design and data by professional lighting software DIALUX based upon simulated site situation on request.



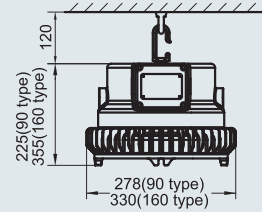
LED Light Fittings BDD95 Series Explosion-proof LED Lightings

Mounting type (all dimensions in mm) - subject to alteration

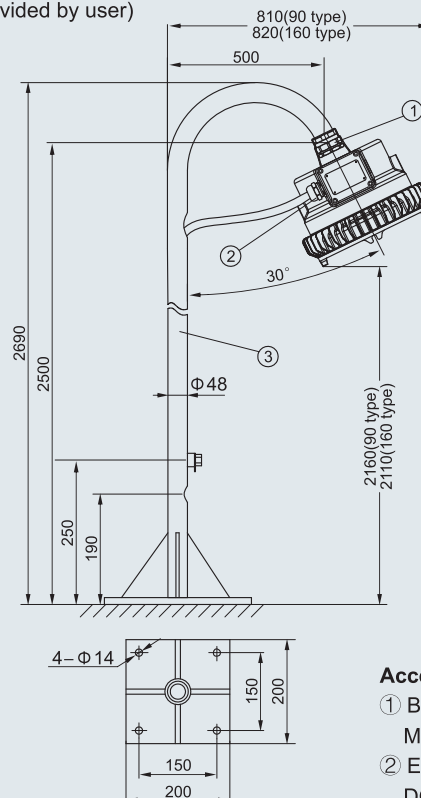
K: bracket type



D: hook type



L: pole type (the pole is provided by user)

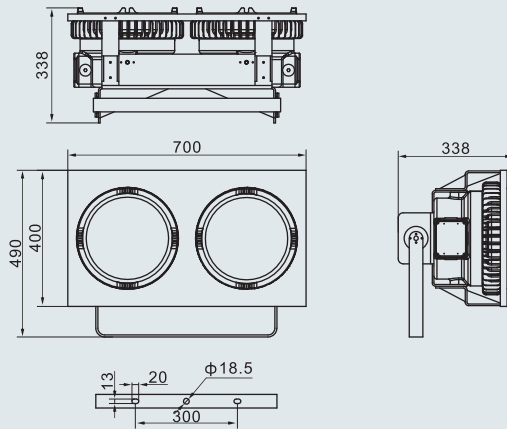


Accessories supplied with the light fittings:

- ① BGJ-III explosion-proof connector M25x 1.5(M) / M25x 1.5(M), carbon steel.
- ② Explosion-proof cable glands are provided by user. DQM-I (Ex e) is recommended, please see P7/17~19.
- ③ Pole shall be provided by user.

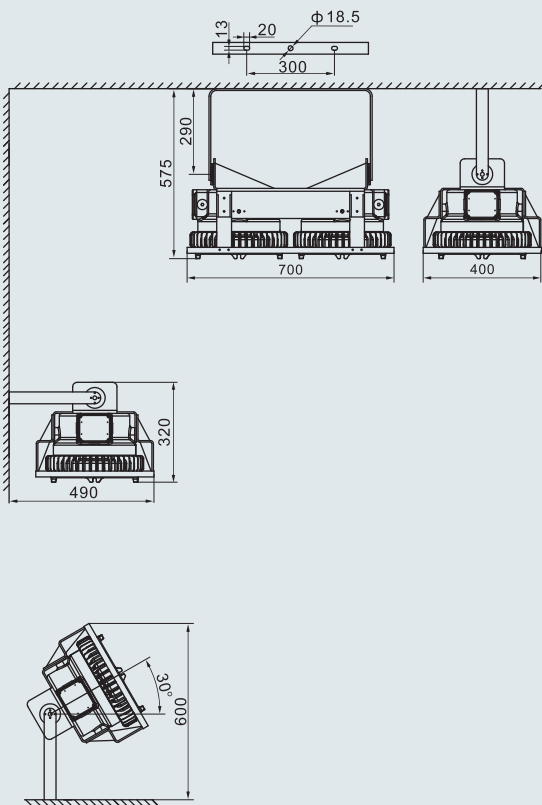
LED Light Fittings
BDD95 Series Explosion-proof LED Lightings

The description of light fitting integrated two lamps (2x120W, 2X160W)



Mounting types

Bracket type



Street lamp type

