

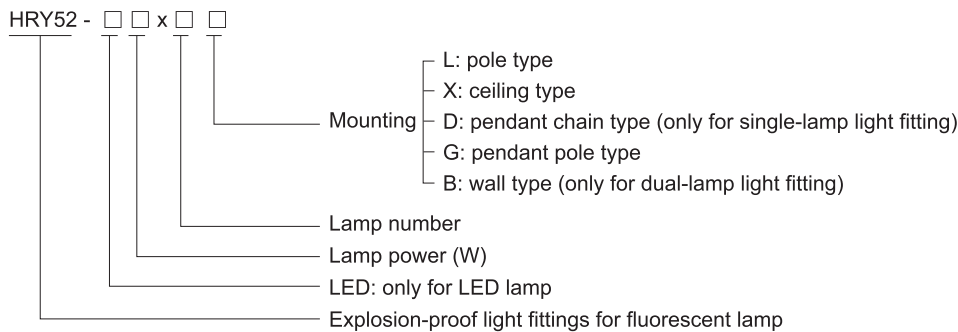
Light Fittings for Fluorescent Lamp

HRY52 Series Explosion-proof Light Fittings for Fluorescent Lamp



- ◆ Explosion Protection to
 - CENELEC
 - IEC
 - NEC
- ◆ Can be used in
 - Zone 1 and Zone 2
- ◆ Available lamp and power
 - T8 Fluorescent Lamps: 18W x 1, 36W x 1, 18W x 2, 36W x 2
 - LED lamps: 9W x 1, 18W x 1, 9W x 2, 18W x 2
- ◆ T8 Fluorescent Lamps: Built-in electromagnetic ballast (Electronic ballast is optional, please specify when ordering).
- ◆ LED lamps: Built-in LED driver, wide voltage input, CC-CV (constant current - constant voltage) output, power factor ≥ 0.95 .
- ◆ Enclosure in copper-free aluminium, powder coated surface, yellow (RAL1021).

Catalogue number logic



Selection table

Type / Ordering code	Lamp power(W)	Weight (kg)	Type / Ordering code	Lamp power(W)	Weight (kg)	Type / Ordering code	Lamp power(W)	Weight (kg)
HR Y52-18 x 1X	18 x 1	3.90	HR Y52-36 x 2X	36 x 2	12.00	HR Y52-LED 9 x 2X	9 x 2	7.80
HR Y52-18 x 1L	18 x 1	4.00	HR Y52-36 x 2L	36 x 2	11.70	HR Y52-LED 9 x 2L	9 x 2	7.50
HR Y52-18 x 1D	18 x 1	4.20	HR Y52-36 x 2G	36 x 2	12.50	HR Y52-LED 9 x 2D	9 x 2	8.10
HR Y52-18 x 1G	18 x 1	4.20	HR Y52-36 x 2B	36 x 2	12.40	HR Y52-LED 9 x 2G	9 x 2	8.70
HR Y52-36 x 1X	36 x 1	4.80	HR Y52-LED 9 x 1X	9 x 1	4.10	HR Y52-LED 18 x 2X	18 x 2	12.20
HR Y52-36 x 1L	36 x 1	5.00	HR Y52-LED 9 x 1L	9 x 1	4.20	HR Y52-LED 18 x 2L	18 x 2	11.90
HR Y52-36 x 1D	36 x 1	5.10	HR Y52-LED 9 x 1D	9 x 1	4.40	HR Y52-LED 18 x 2D	18 x 2	12.70
HR Y52-36 x 1G	36 x 1	5.10	HR Y52-LED 9 x 1G	9 x 1	4.40	HR Y52-LED 18 x 2G	18 x 2	12.60
HR Y52-18 x 2X	18 x 2	7.60	HR Y52-LED 18 x 1X	18 x 1	5.00			
HR Y52-18 x 2L	18 x 2	7.30	HR Y52-LED 18 x 1L	18 x 1	5.20			
HR Y52-18 x 2G	18 x 2	7.90	HR Y52-LED 18 x 1D	18 x 1	5.30			
HR Y52-18 x 2B	18 x 2	8.50	HR Y52-LED 18 x 1G	18 x 1	5.30			

Note: 1. Products above include all the mounting accessories listed in Mounting Accessories & Spare Parts Table (see P2/26~27).
 2. Wall type is applicable for dual-lamp light fitting only.
 3. Pendant chain type is applicable for single-lamp light fitting only.

Zones 1&2

Light Fittings for Fluorescent Lamp

HR Y52 Series Explosion-proof Light Fittings for Fluorescent Lamp

Technical data

Explosion-proof light fittings for fluorescent lamp HR Y52-□□×□□

Explosion protection

Gas explosion protection
Dust explosion protection

⊕ II 2 G Ex d IIC T6 Gb
Ex tD A21 IP66 T80°C

Certificates

PCEC (China)

Conformity to standards

IEC 60079-0, IEC 60079-1, IEC 61241-0, IEC 61241-1

Material

Enclosure

Copper-free aluminium, powder coated surface, yellow (RAL1021)

Ballast

Electromagnetic ballast (Electronic ballast is optional)

Exposed fastener

Stainless steel

LED driver

Wide voltage input, CC-CV (constant current - constant voltage) output, power factor ≥ 0.95 , with function of distributed current, constant current, surge-proof and anti-electromagnetic interference, and protection against overcurrent, open circuit, and short circuit.

Lamp

Lamp specification

International brand of T8 fluorescent lamp (supplied with the light fittings)
International brand of LED module (supplied with the light fittings)

Lamp power (W)

T8: 18Wx1, 36Wx1, 18Wx2, 36Wx2
LED: 9Wx1, 18Wx1, 9Wx2, 18Wx2

Colour Temperature (CCT)

Cool white: 5400 ~ 6500K
Note: cool white is available in general. Warm white (2700~3500K) or nature white (4700~5400K) is optional, please specify when ordering.

Rated voltage

T8: 220~240V AC 50Hz (60Hz is optional) (with electromagnetic ballast)
T8: 220~240V AC 50/60Hz (with electronic ballast)
LED: 110~265V AC 50/60Hz

Earthing protection

M5 (internal & external earth bolts)

Degree of protection

IP66

Ambient temperature

-20°C~+55°C

Terminal

3 x 1.5~2.5mm² (L+N+PE)

Cable entries

1 x G3/4" (1 x M25 x 1.5 for pole type dual-lamp light fittings, M25 x 1.5 or M20 x 1.5 with connector on request)

Cable gland

See Mounting Accessories & Spare Parts Table

Available cable outer diameter

Φ 10~Φ 14 (mm)

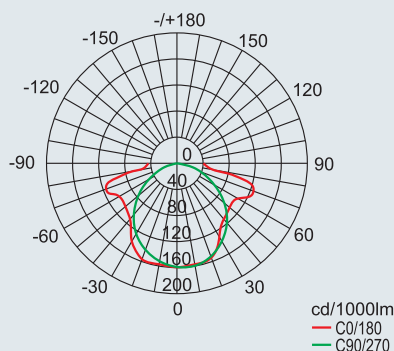


Photometric data Note: LED luminous flux is from the standard product of which colour temperature is 5400 to 6500K (cool white).

HR Y52-□□x1□

Rated luminous flux

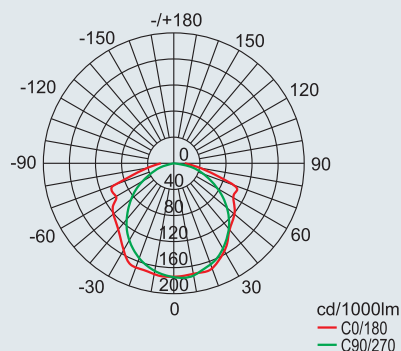
T8: 18Wx1: 1300lm
T8: 36Wx1: 3250lm
LED: 9Wx1: 945lm
LED: 18Wx1: 1890lm



HR Y52-□□x2□

Rated luminous flux

T8: 18Wx2: 2600lm
T8: 36Wx2: 6500lm
LED: 9Wx2: 1890lm
LED: 18Wx2: 3780lm



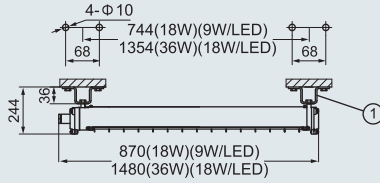
We can provide lighting design and data by professional lighting software DIALUX based upon simulated site situation on request.

Light Fittings for Fluorescent Lamp HRY52 Series Explosion-proof Light Fittings for Fluorescent Lamp

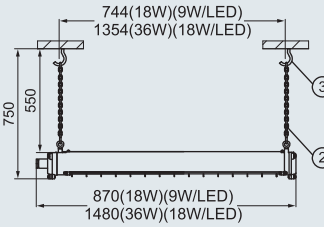
Mounting type for light fittings with single lamp tube (all dimensions in mm) - subject to alteration

Installation reference

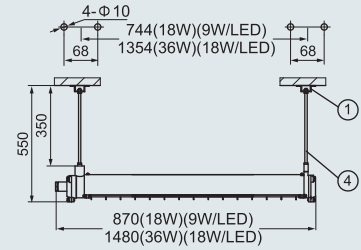
X: ceiling type



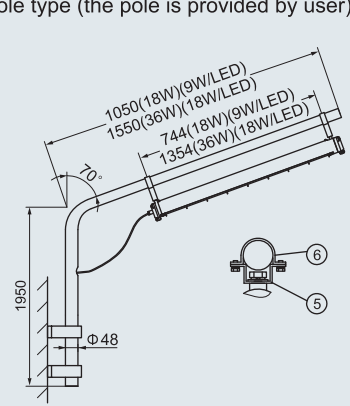
D: pendant chain type



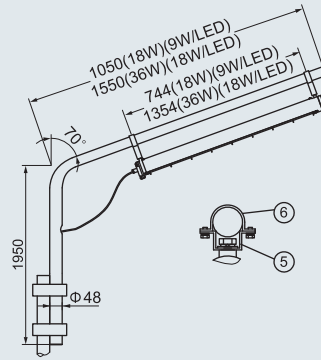
G: pendant pole type



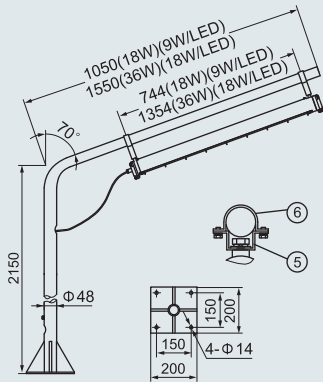
L: pole type (the pole is provided by user)



Suitable for wall pole type



Suitable for fence pole type



Suitable for ground pole type



Mounting Accessories & Spare Parts Table (light fittings with single lamp tube)

Supplied according to the mounting type

Mounting type	Accessories			Ordering code	Weight (kg)
	Name	Qty	Illustration		
X: ceiling type	①.Mounting bracket	2		51S01G1	0.04
	②.Chain	2	Length: 450mm	5136016	0.08
D: pendant chain type	③.Hook expansion bolt	2		52017	0.03
	①.Mounting bracket	2	Same as ceiling type	51S01G1	0.04
G: pendant pole type	④.M8 Screw	2	Length: 350mm	51S01G2	0.12
	⑤.Mounting bracket	2		5136012	0.04
L: pole type	⑥.G1 1/2" Pipe clamp	2		5136014	0.04

Note: Accessories not in the table shall be supplied by user.

Light Fittings for Fluorescent Lamp HRY52 Series Explosion-proof Light Fittings for Fluorescent Lamp

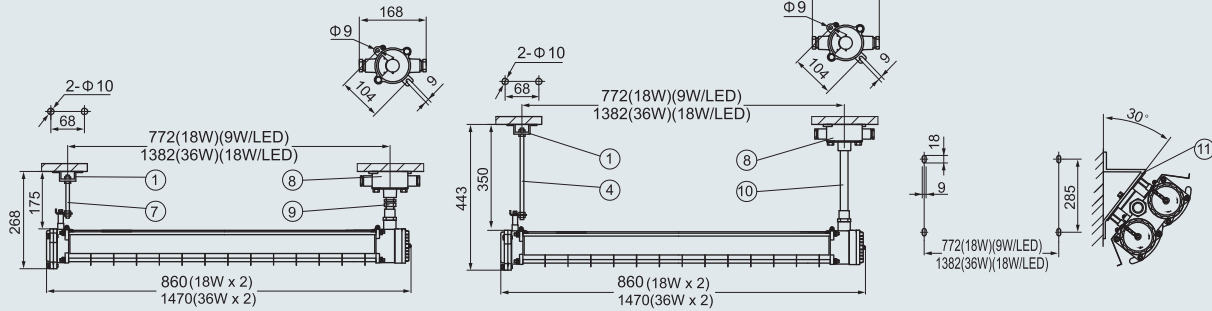
Mounting type for light fittings with dual lamp tube (all dimensions in mm) - subject to alteration

Installation reference

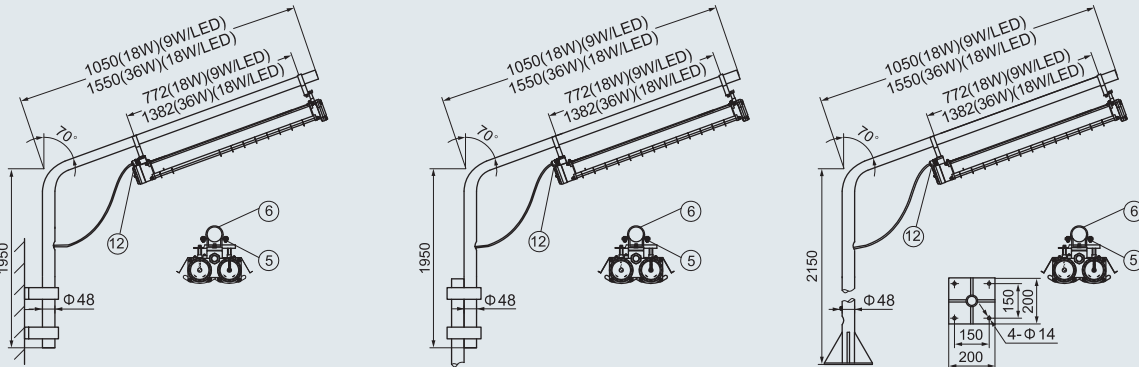
X: ceiling type

G: pendant pole type

B: wall type



L: pole type (the pole is provided by user)



Suitable for wall pole type

Suitable for fence pole type

Suitable for ground pole type

Mounting Accessories & Spare Parts Table (light fittings with dual lamp tube)

Supplied according to the mounting type

Mounting type	Accessories			Ordering code	Weight (kg)
	Name	Qty	Illustration		
X: ceiling type	①.Mounting bracket	1	Same as light fittings with single lamp	51S01G1	0.04
	⑦.M8 Screw	1	Length:150mm	52D01X1	0.08
	⑧.BHD51 Explosion-proof junction box	1	G3/4"(Ex e)	52D01X2	0.40
	⑨.BGJ-III Explosion-proof connector	1	G3/4"(M)/G3/4"(M)	See P7/8	0.28
G: pendant pole type	①.Mounting bracket	1	Same as light fittings with single lamp	51S01G1	0.04
	④.M8 Screw	1	Length: 350mm	51S01G2	0.12
	⑧.BHD51 Explosion-proof junction box	1	G3/4"(Ex e)	52D01X2	0.40
	⑩.Straight pipe (G3/4")	1	Length: 250mm	52D01G1	0.34
B: wall type	⑪.Wall bracket	2	Welded sheet steel	5236B01	0.60
L: pole type	⑤.Mounting bracket	2	Same as light fittings with single lamp	5136012	0.04
	⑥.G1 1/2"Pipe clamp	2	Same as light fittings with single lamp	5136014	0.04
	⑫.DQM-II Explosion-proof cable gland	1	M25 x 1.5	See P7/20	0.25

Note: Accessories not in the table shall be supplied by user.

